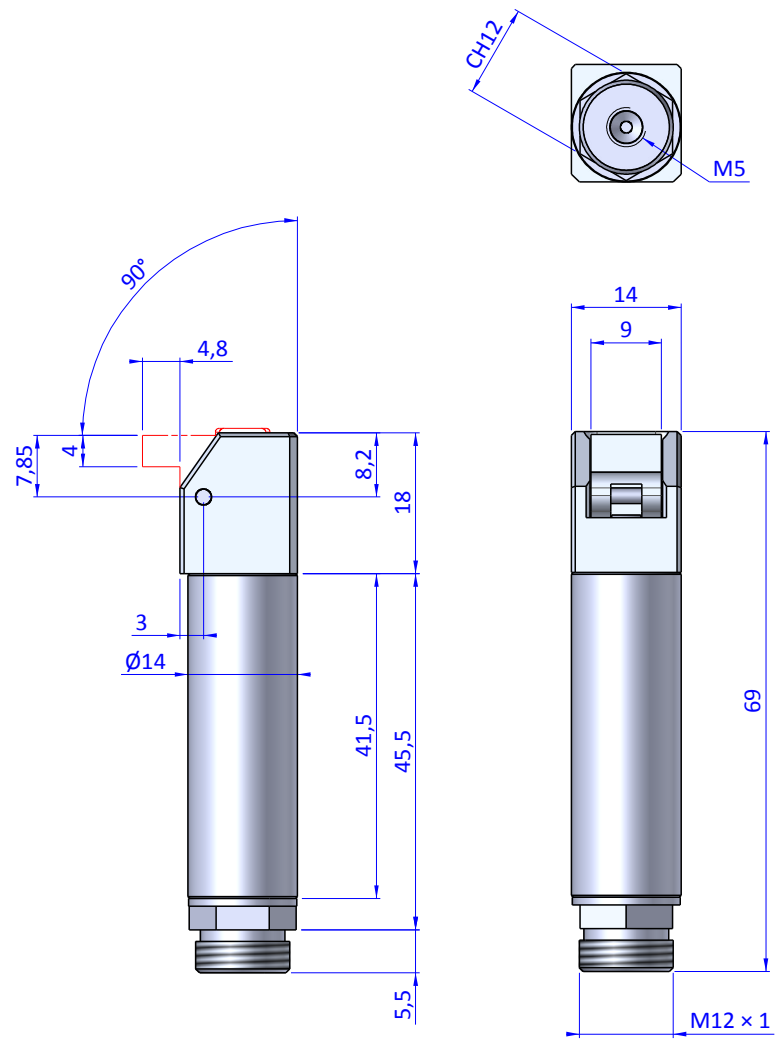
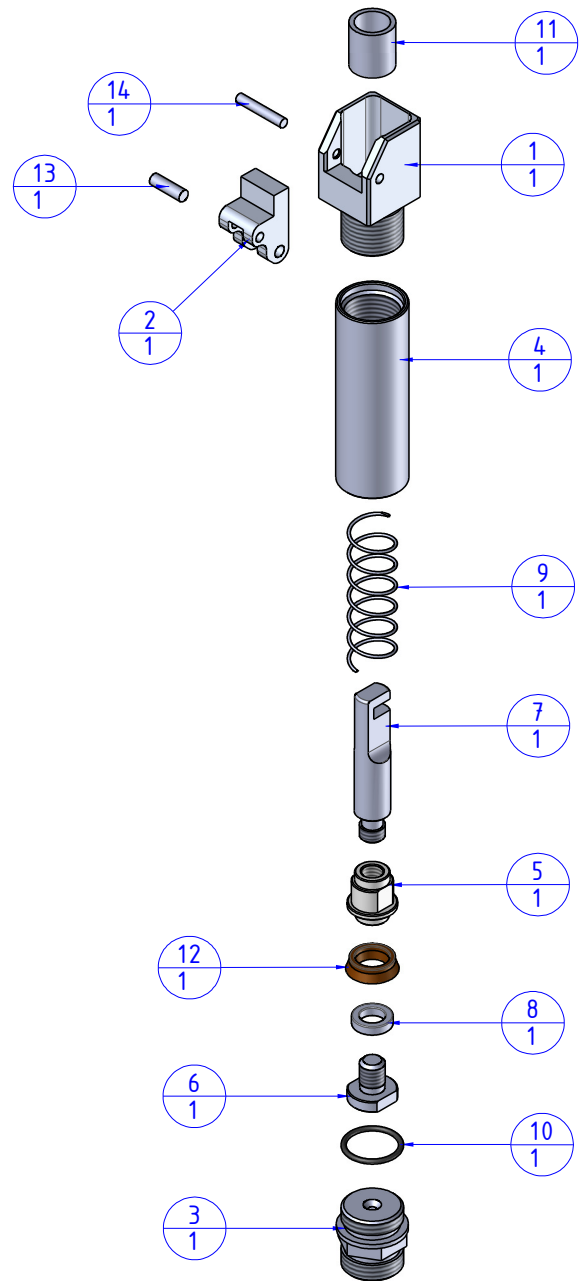


THE PROPERTY OF THE DRAWING IS ESTABLISHED BY LAW. IT IS FORBIDDEN TO PRODUCE OR SHOW IT TO THIRD PARTY, WITHOUT A WRITTEN AGREEMENT.

Item	Name	Q.ty
1	GRF14.90.05	1
2	GRF14.90.06	1
3	GRF14.95.01	1
4	GRF14.95.02	1
5	GRF14.95.03	1
6	GRF14.95.03.2	1
7	GRF14.95.04	1
8	GRF14.95.10	1
9	M.10X32A	1
10	ORM.0100.10	1
11	PAP.070910	1
12	PSP.100603	1
13	SP.2,5x08M6	1
14	SP.2x12M6	1



Format A3
UNI 936-76

		DESIGNED FROM	REVIEW
		FP SERVICES	A
GENERAL TOLERANCE	DESCRIPTION	DATE	WEIGHT
UNI - ISO 2768	CA.GRF.1490	26/03/2019	0,029kg
CLASSE f		CODE	CA.GRF.1490